



PRESSURE SWITCHES

Adjustable pressure switches

Adjustable pressure switches membrane type

- Safe, easy, adjustable pressure switches membrane type
- With pressure surge system protection
- Adjustment lock

CODE	MODEL	PRESSURE (BAR)				Connection	Compatibility
		Min.	Max.	Very Low safety OFF	Factory setting*		
22030000901030	DSSG- 1 with lamp **	1,5	4,0	0,8	1,6-2,6 - 0,8	10 mm	Diesel-HVO
22030000900030	DSSG- 1 without lamp **	1,5	4,0	0,8	1,6-2,6 - 0,9	10 mm	Diesel-HVO
22030000901040	DSSG- 2 with lamp **	3,7	6,5	0,8	*	10 mm	Diesel-HVO
22030000900040	DSSG- 2 without lamp **	3,7	6,5	0,8	*	10 mm	Diesel-HVO
22030000002211	SS- 1A	-	1,2	-	*	1/ 4" IG	Water, Diesel-HVO
22030000002201	SS-1iA 1/4 F	0,3	-	-	*	1/ 4" IG	Water, Diesel-HVO

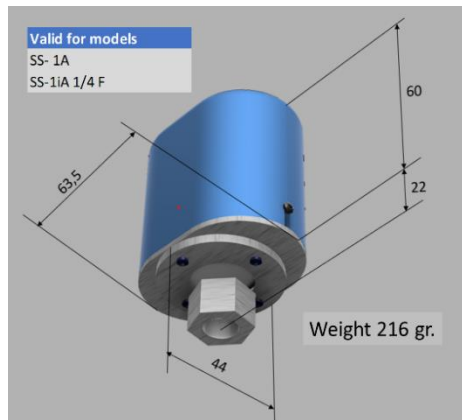
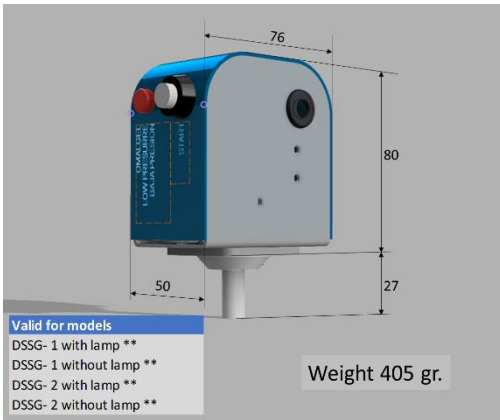
* Other settings available under request

** Including nut and olive

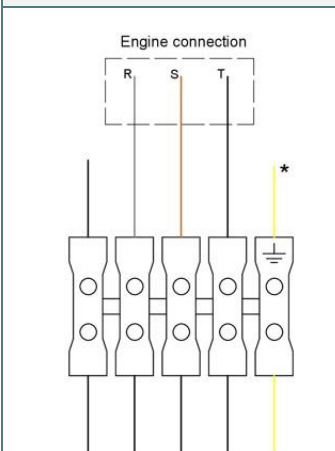
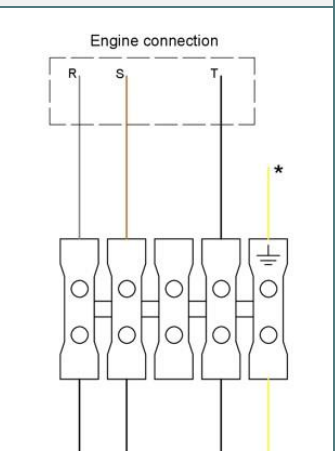
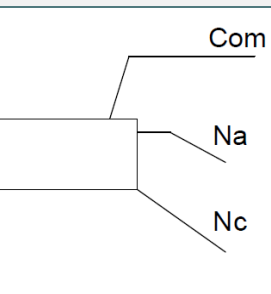
Electrical characteristics

Electrical Characteristics	Current (A)	Operating Temperature range	Protection
Rating nominal /250V AC	5	Water 0 to +60 °C	IP20
Rating thermal /250V AC	17,5	Diesel HVO -5 to +55 °C	IP20

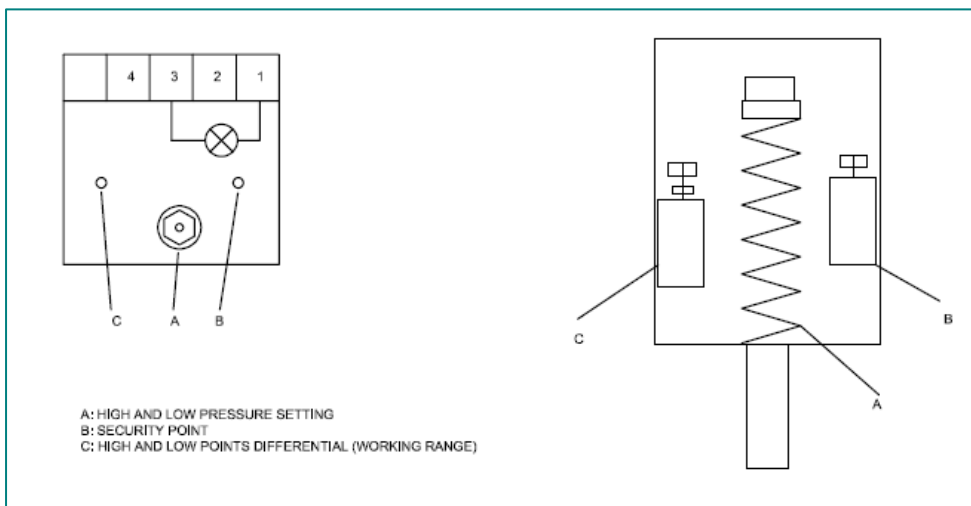
Dimensions and weight



Wiring

DSSG 1/2 with lamp	DSSG 1/2 without lamp	SS- 1A / SS-1iA 1/4" F
 <p>* Be guided by the earth wire</p>	 <p>* Be guided by the earth wire</p>	

Adjusting




research + development

C/Invierno, 4-6
28500 Arganda del Rey - Madrid - Spain
Tel.: (+34) 918 719 294
info@inprord.com - www.inprord.com



simka
Inpro Research and Development SL, Zaragoza/Barcelona, Spain

63457 Hanau - Voltastr., 10
Deutschland / Germany
Tel.: (+49) 06181/9587-0
info@simka.de - www.simka.de