

MONOBLOCK MOTORPUMPS BMF

HEAD 5 BAR		BMF 2	BMF 3	BMF 4	BMF 5	BMF 10	BMF 15	BMF 25	BMF 35	BMF 50	BMF 60
FLOW (l/h)		120	210	240	320	600	900	1.500	2.100	3.000	3.600
POWER	KW	0.09	0.13	0.18	0.26	0.26	0.37	0.55	0.75	1.1	1.5
	HP	0.12	0.18	0.25	0.35	0.35	0.5	0.75	1	1.5	2

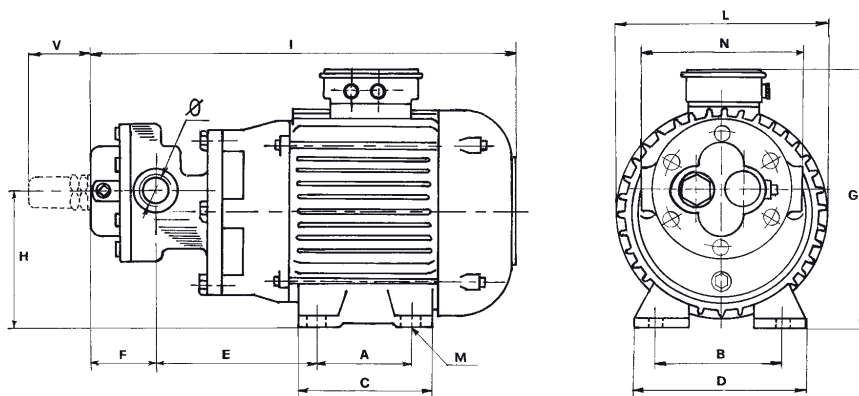
HEAD 10 BAR		BMF2M	BMF3M	BMF 4	BMF 5	BMF10M	BMF15M	BMF25M	BMF35M	BMF50M	BMF60M
FLOW (l/h)		90	160	210	300	580	850	1.400	2.000	2.900	3.400
POWER	KW	0.13	0.18	0.18	0.26	0.37	0.55	0.75	1.1	1.5	1.8
	HP	0.18	0.25	0.25	0.35	0.5	0.75	1	1.5	2	2.5



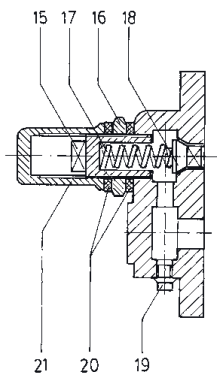
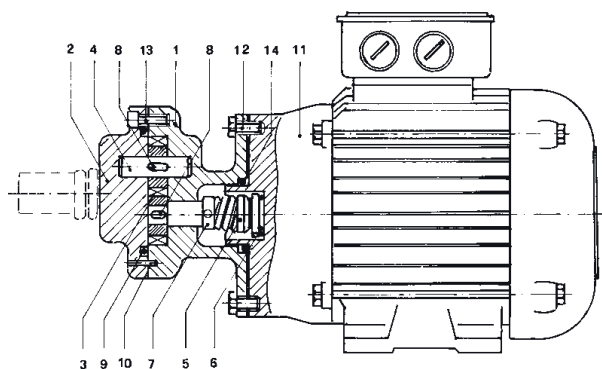
- R.P.M. 1.400

DIMENSIONS AND WEIGHTS

TYPE	BMF2	BMF3	BMF4	BMF5	BMF10	BMF10M	BMF15	BMF15M	BMF25	BMF25M	BMF35	BMF35M	BMF50	BMF50M	BMF60	BMF60M
HP 4 POLI	0.12	0.18	0.25	0.35	0.35	0.5	0.5	0.75	0.75	1	1	1.5	1.5	2	2	2.5
Ø	3/8"		1/2"	3/4"		3/4"		3/4"		1"		1"		1 1/4"		
A	71	80	80	80	90	90	90	90	100	100	100	100	125	125	125	125
B	90	100	100	100	112	112	112	112	125	125	125	125	140	140	140	140
C	86	100	100	100	109	109	109	109	125	125	125	125	150	150	150	150
D	117	120	120	120	135	135	135	135	154	154	154	154	170	170	170	170
E	66	70	90	99		110		120		132		142		142		
F	50	53	57	53	59		69		71		75		85		85	
G	154	164		164	164	187	187	187	210	210	210	210	230	230	230	230
H	68	74		78	78	86	86	86	95	104	104	104	112	112	112	112
I	257	270	276	296	314	334	343	343	365	376	395	395	441	452	452	452
L	108	121		121	121	143	143	143	132	132	162	162	162	182	182	182
M	6	7		7	7	9	9	9	9	9	9	9	9	9	9	9
N	85		110		115		115		117		134		134		122	
V	40		48		48		48		48		48		48		48	
KG	6.2	6.6	6.9	7.7	8.5	10.4	10.8	11.2	12.4	14.4	16.5	17.5	17.5	21.5	22	23.5



DESCRIPTION



- | | |
|--------------------------|-----------------------|
| 1. Pump Body | 12. Screw |
| 2. Cover | 13. Socket head screw |
| 3. Gears | 14. O-Ring |
| 4. Driven shaft | 15. Bush |
| 5. Mechanical seal | 16. Lock nut |
| 6. Seal matching surface | 17. Spring |
| 7. Ring nut | 18. Plug |
| 8. Key | 19. Plug |
| 9. O-Ring | 20. Grommet |
| 10. Plug | 21. By-pass cover |
| 11. Electric motor | |

Applications

- The BFM series are volumetric pumps with single-impelled gearing suitable for transferring of viscous and devoid of suspended solid substances liquids.
- These are selfpriming pumps and are supplied with 4-pole motors for liquids bearing a viscosity up to 10°E and with 6-pole motors for liquids with higher viscosity.
- They are employed for the transferring of fuel oil, petroliferous products, cosmetic items, foodstuffs, varnishes, lubricant oils, etc.

Construction

- The standard execution of the BMF series pumps is in cast iron with steel gearing and shafts; mechanical seal in Viton.
- The suction and delivery nozzles have the same diameter and are on the same axis (in-line).
- In the standard version they can operate with a maximum liquid temperature of 140°C.
- For higher temperatures or particular applications the pumps can be supplied flanged to allow connection with B3/B14 or B3/B5 motor forms.
- It is possible to fix on the pump delivery an over-pressure by-pass valve thus protecting the pump from dangerous overpressures.
- The by-pass valve is of the inner recycle kind and it can be calibrated by acting on the adjusting screw.
- The sense of rotation is right-hand looking from the pump side, the delivery is on the left (from the by-pass valve side), the suction is on the right.
- The BMF pumps with suitable sealing can be reversible.

Executions

- BF - BFZ - BFX = pumps derived from the series BMF without motor.
- BFC - BFCZ - BFCX = pumps BF with bell for coupling to motor form B5.
- BMFZ = execution in bronze for alimentary liquids.
- BMFX = execution in AISI 316 stainless steel for particular liquids.
- BCF - BCFZ - BCFX = single-impelled pumps made in different metals with single-phase motor.
- .../6 shows 6-pole motor.
- V1 - V2 show the by-pass valve.
- For particular liquids we advise you to contact our technical department.

Motor

- The motors are of the induction type.
- Class F insulation.
- IP 54 protection.
- Special extended shaft.

Special Features

- Particular voltages, tropicalization.
- IP 55 protection.
- ADPE motors.



Investigación y Producción S.L.
Zweigniederlassung Deutschland
63457 Hanau - Voltastraße, 10
Deutschland / Germany
Tel.: (+49) 06181/9587-0
Fax: (+49) 06181/958723
info@simka.de - www.simka.de



C/Invierno, 4-6
Pol. Ind. "El Malvar"
28500 Arganda del Rey
Madrid
Telf.: (+34) 918 719 294
Fax: (+34) 918 719 256
info@inprosa.net - www.inprosa.net