

EDM-40 REMOTE LEVEL GAUGE AND CONTROL

- Shows on his display the content of a tank in % (also possible in liters). Valid for almost any oil tank shape, liquid or fluid. Till 125°C.
- It can be completely configured depending on the installation needs.
- The installation is extremely simple, because all settings are adjusted from manufacturing.
- His expansion slots adapts it to each installation needs.
- Standard housing (DIN 43700) 96 x 43 x 100 ready for panel built-in mounting.
- Flexible probe available in 1", 1 1/2" and 2" thread adapters.
- Together with overfill siren 95 dB with automatic reset after mute, can be used as overfill alarm protection.



Technical specifications from display and control unit

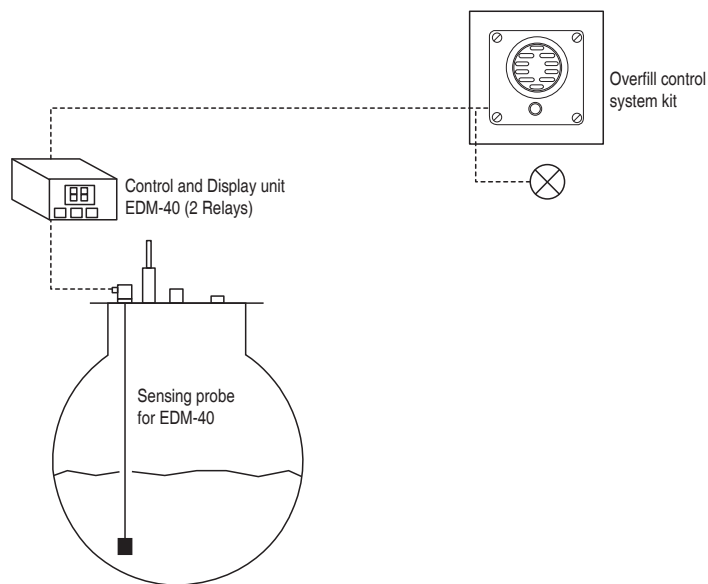
- Protection rate: IP 67
- Power consumption (display + probe) <30 Va.
- Standard Electric supply: 230/115 Vac
- Optional versions: 48/24 Vcc - 18/48 Vcc
- Temperature range of function: 0° a 50°C
- Electromagnetic compatibility: EN 61000-6-2, EN 61000-6-3
- Security Norms: EN 61010-1
- Material: PC-ABS
- Measures (mm): 96 x 43 x 100 (DIN 43700)
- Certifications: CE, UR, CSA

Technical specifications - Probe

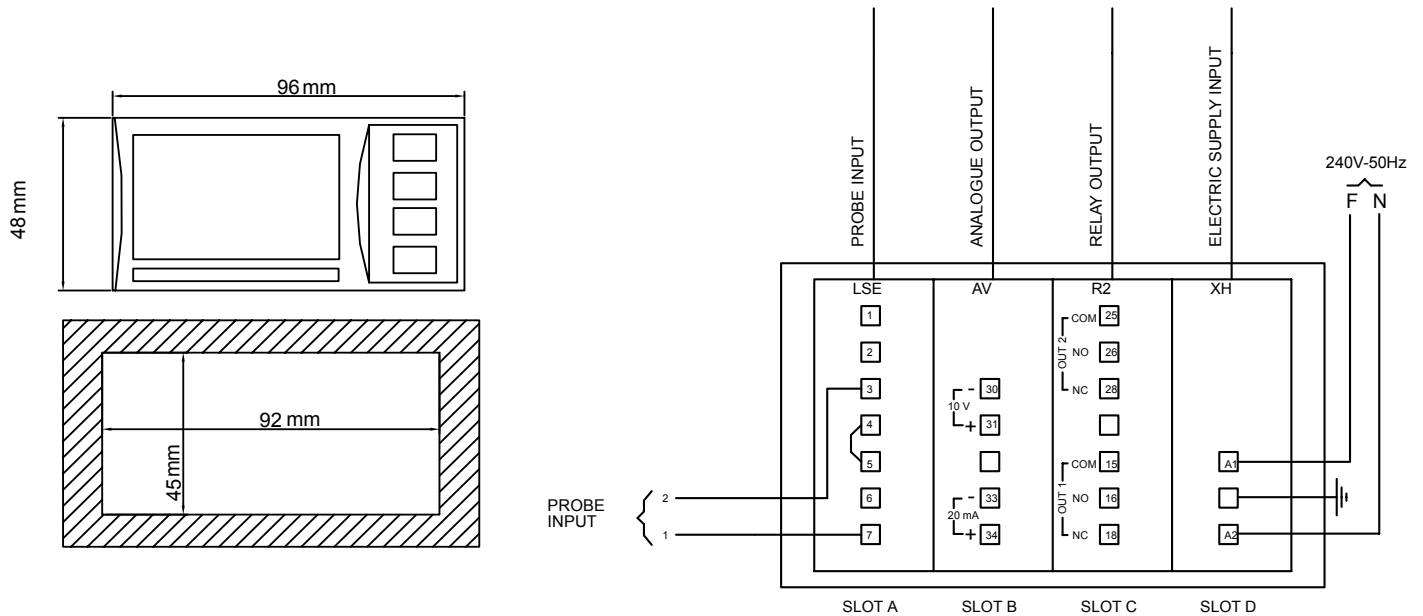
- Aluminium isolating head: 2"
- Isolation rate: IP 65
- Other optional connecting thread: 1", 1 1/4" and 1 1/2"
- Standard probe: flexible (Nylon)
- Max temperature in flexible standard probe: 40°C
- Optional Inox (rigid): stainless steel AISI-316
- Max temperature with stainless steel Probe: 125°C

This manufacture definition is subject to change accordingly to specific installation needs.

HOW IT IS APPLIED



WIRING DIAGRAM FOR ANALOG AND RELAY CONNECTIONS



WIRING DIAGRAM FOR OVERFILL CONTROL SYSTEM KIT

